

INSTALLATION MANUAL -R003

ENTRYWAY KIT



Revised 02/08/2011

**YARDISTRY**

Yardistry Ltd. - North America

Toll Free Customer Support: 1.888.509.4382

info@yardistrystructures.com

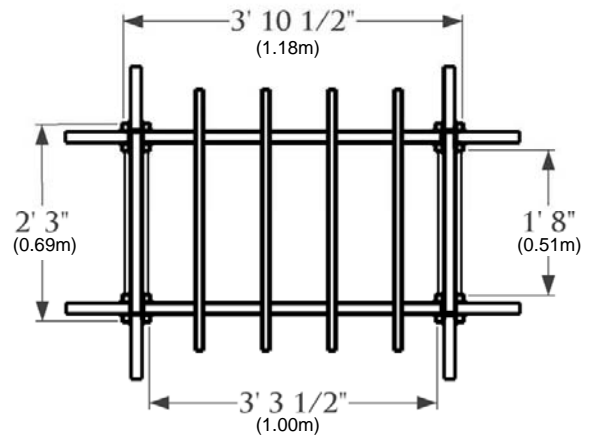
www.yardistrystructures.com

Yardistry / Selwood Products - Europe

Customer Support: +44 1284 852569

parts@selwoodproducts.com

www.selwoodproducts.com



!IMPORTANT SAFETY NOTICE!

- Yardistry components are intended for privacy, decorative and ornamental use only. **Product is NOT INTENDED for the following:**
 - A safety barrier to prevent unsupervised access to pools, hot tubs, spas, or ponds.
 - Safety railings for elevated platforms or decks.
 - As load bearing support for a building, structure, heavy objects or swings. - Used in structures that trap wind, rain or snow that would create extra load on the product.
- **Permanent structures may require a building permit.** As the purchaser and or installer of this product you are advised to consult local planning, zoning, and building inspection departments for guidance on applicable building codes and or zoning requirements.
- **Wood is NOT flame retardant and will burn.** Grills, fire pits and chimneys are a fire hazard if placed too close to a Yardistry structure. Consult user's manual of the grill, fire pit or chimney for safe distances from combustible materials.
- **During installation, follow all safety warnings provided with your tools and use OSHA approved safety glasses.**
- **Some structures may require two or more people to install safely. Check for underground utilities before digging or driving stakes into the ground!**

General Information: Wood components are manufactured with Cedar (C. Lanceolata) which is protected with factory applied water-based stain. Knots, small checks (cracks) and weathering are naturally occurring and do not affect the strength of the product. Annual application of a water-based water repellent sealant or stain will help reduce weathering and checks.

Warranty: Yardistry Limited products are backed by a 5 year limited lifetime warranty from the date of original retail purchase for manufacturing defects and if installed as per manufacturer's installation instructions.

Patents Pending

Tools Required

- | | | | |
|------------------------------|--|---------------------|------------------|
| • Tape Measure | • #2 Phillips or Robertson Bits or Screwdriver | • Adjustable Wrench | • Safety Glasses |
| • Carpenters Level | • Ratchet with extension (7/16" sockets) | • 1/8" Drill Bit | • Adult Helpers |
| • Carpenters Square | • Open End Wrench (7/16") | • Pencil | |
| • Standard or Cordless Drill | | • 1/4" Drill Bit | |
| | | • 8' Step Ladder | |

Keys To Assemble Success

This identifies information that requires special attention. Improper assembly could lead to an unsafe or dangerous condition.



Use Help



Use Help



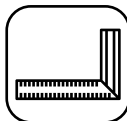
Where this is shown, 2 or 3 people are required to safely complete the step. To avoid injury or damage to the assembly make sure to get help!

Measure Distance



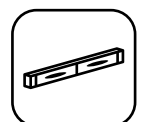
Check that assembly is square before tightening bolts.

Square Assembly



Check that set or assembly is properly level before proceeding.

Use Level

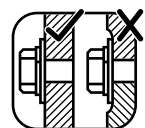


Pre-drill 1/8" & 3/16" Bit



Pre-drill a pilot hole before fastening screw or lag to prevent splitting of wood.

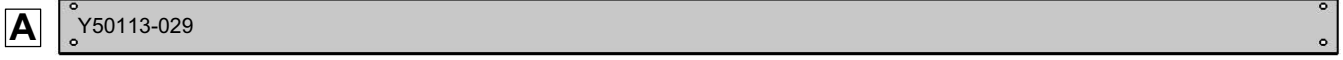
Tighten Bolts



This indicates time to tighten bolts, but not too tight! Do not crush the wood. This may create splinters and cause structural damage.

MATERIAL LIST

Nominale	Actuel
2" x 4"	1½" x 3½"
5/4" x 3"	1" x 2½"



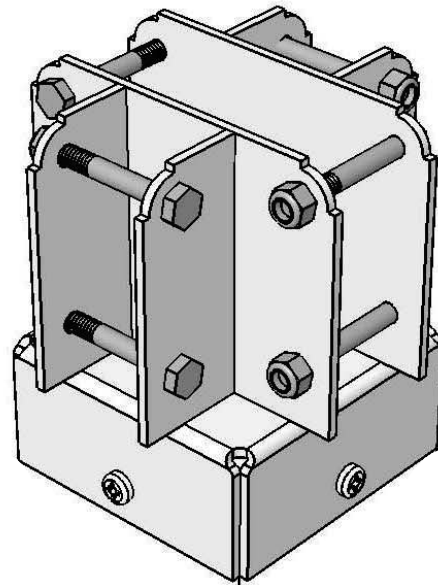
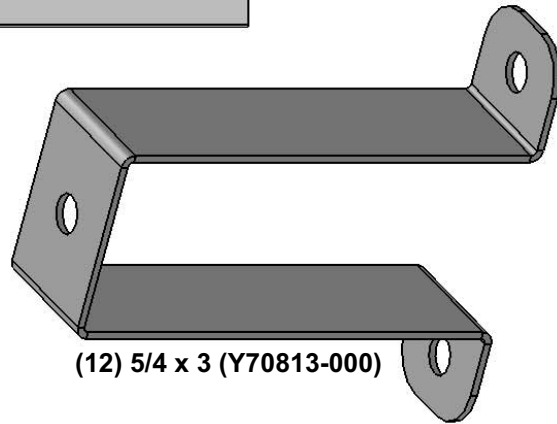
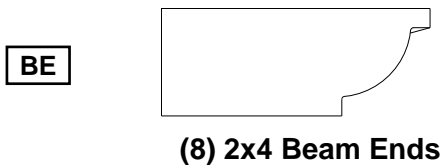
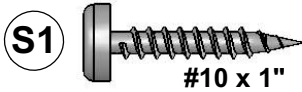
(2) 2 x 4 x 41"



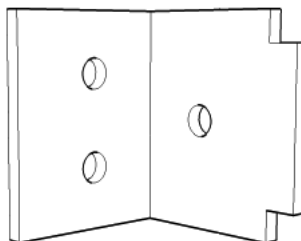
(2) 2 x 4 x 25"



(6) 5/4 x 3 x 35 3/4"



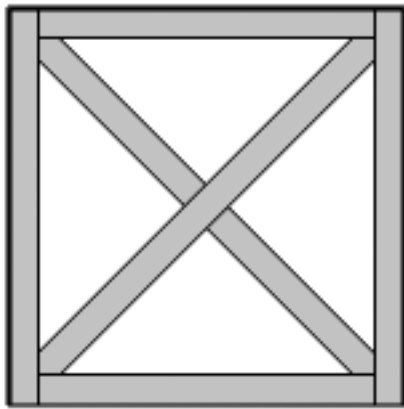
(4) Post Top Connector With
WH 7/16" Hex Bolt Assembly



(18) Panel Clips

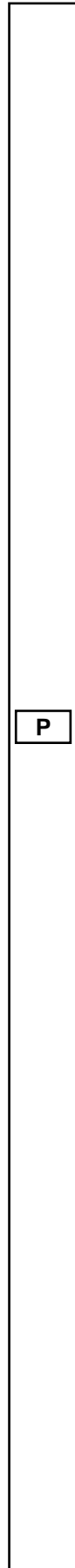
MATERIAL LIST

PX1



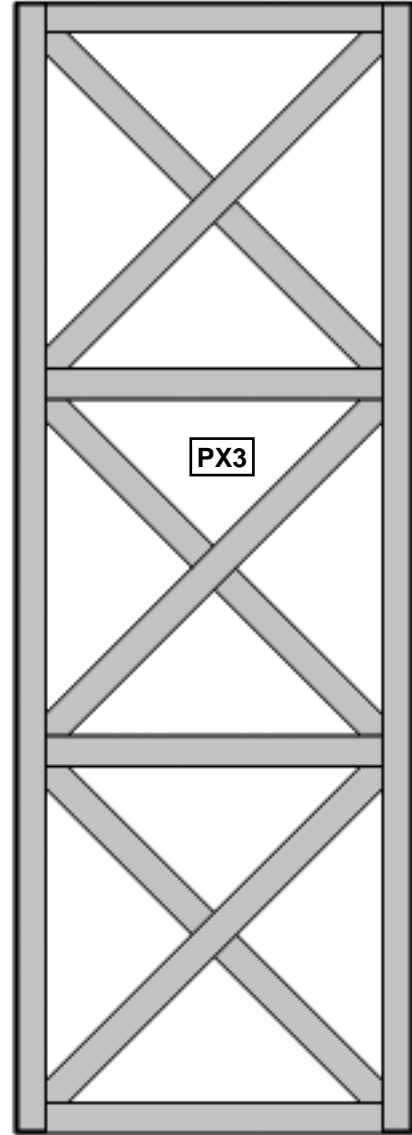
(2) One High X Topper

P



(4) 4x4 Post

PX3



(2) Three High X Panel

**Optional- May Not
be Included*

G



(4) 2 x 4 x 12" Gusset

S3



(8) #8 x 3" Wood Screw

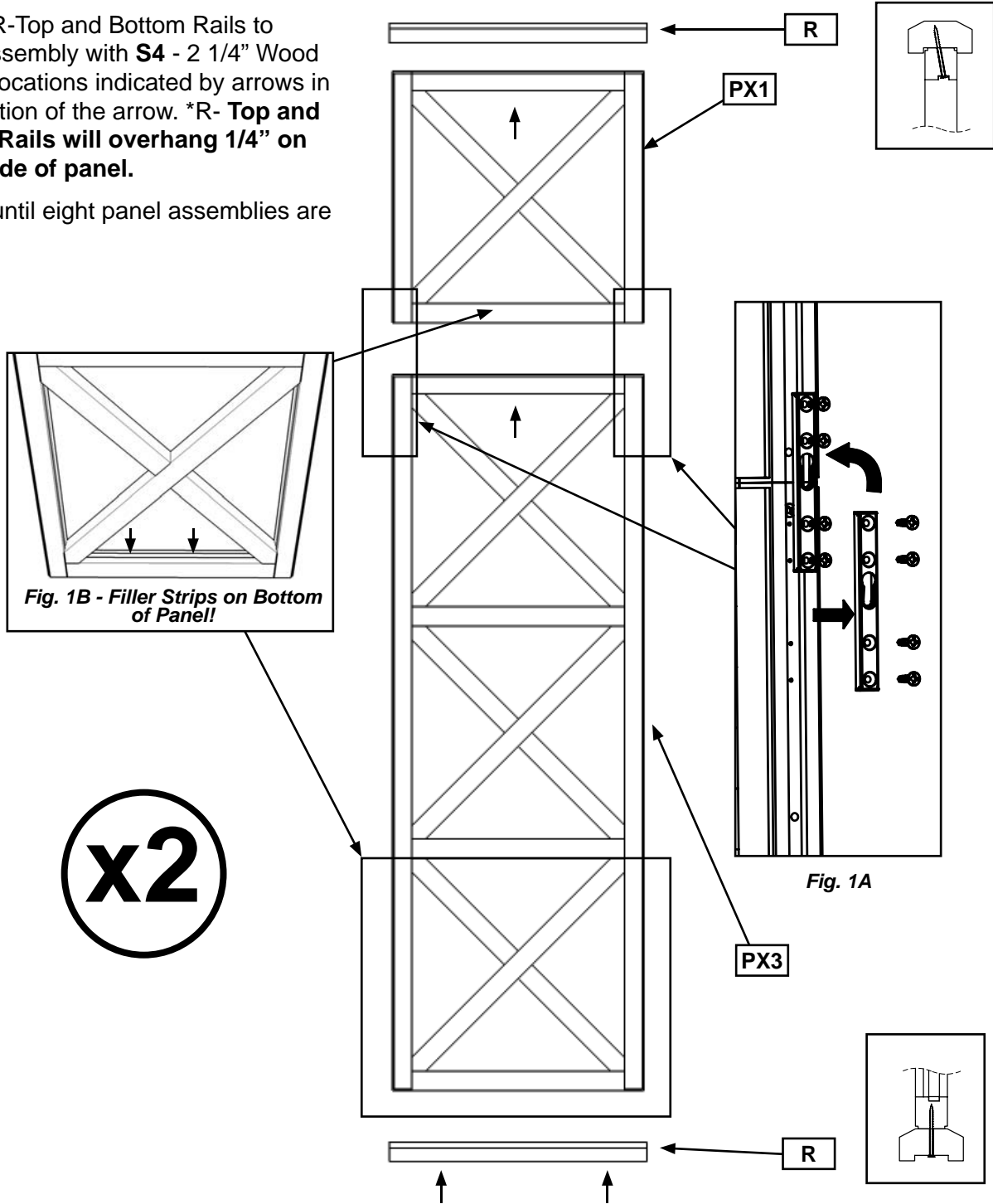
STEP 1- ASSEMBLE PANELS

1. Remove the metal connectors on both sides of PX3 - Three High X Panel. Reattach the metal connectors to PX3 by securing the bottom two holes of the metal connectors to the top two holes on PX3 so that the metal connectors stick out from the top. Slide PX1 – One High X Topper between the two protruding metal connectors on the top of PX3. Attach the metal connectors to the factory drilled holes in PX1.” (Fig. 1A)

***Ensure Panels are right side up! (Fig. 1B)**

2. Secure R-Top and Bottom Rails to Panel Assembly with **S4** - 2 1/4” Wood Screws locations indicated by arrows in the direction of the arrow. ***R- Top and Bottom Rails will overhang 1/4” on either side of panel.**

3. Repeat until eight panel assemblies are created.



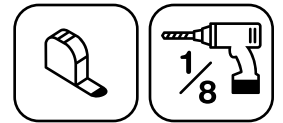
2X **PX1** ONE HIGH X TOPPER

8X **S4** #8- 2 1/4” WOOD SCREWS

2X **PX3** THREE HIGH X PANEL

4X **R** TOP & BOTTOM RAIL

STEP 2- ATTACH PANEL CLIPS TO POSTS



1. On a flat surface place P- 4x4 Post on its side and position Panel Clips in locations indicated in Figure 1. **Ensure Panel Clips are oriented as shown in Diagrams!**
2. Panel Clips should be placed in the centre of the post or the leading edge of the clip should be 1" or 2.54cm away from the side of the post as shown in Fig. 2.
3. With Panel Clips in place, mark screw holes with a pencil and pre-drill holes with a 1/8" drill bit. (Not provided)
4. Secure Panel Clips in locations indicated in figure 1 and 1A with S7- #8 x 1 1/2" wood screws.
5. Repeat for each post configuration (2 in total).

Fig. 1 Front View

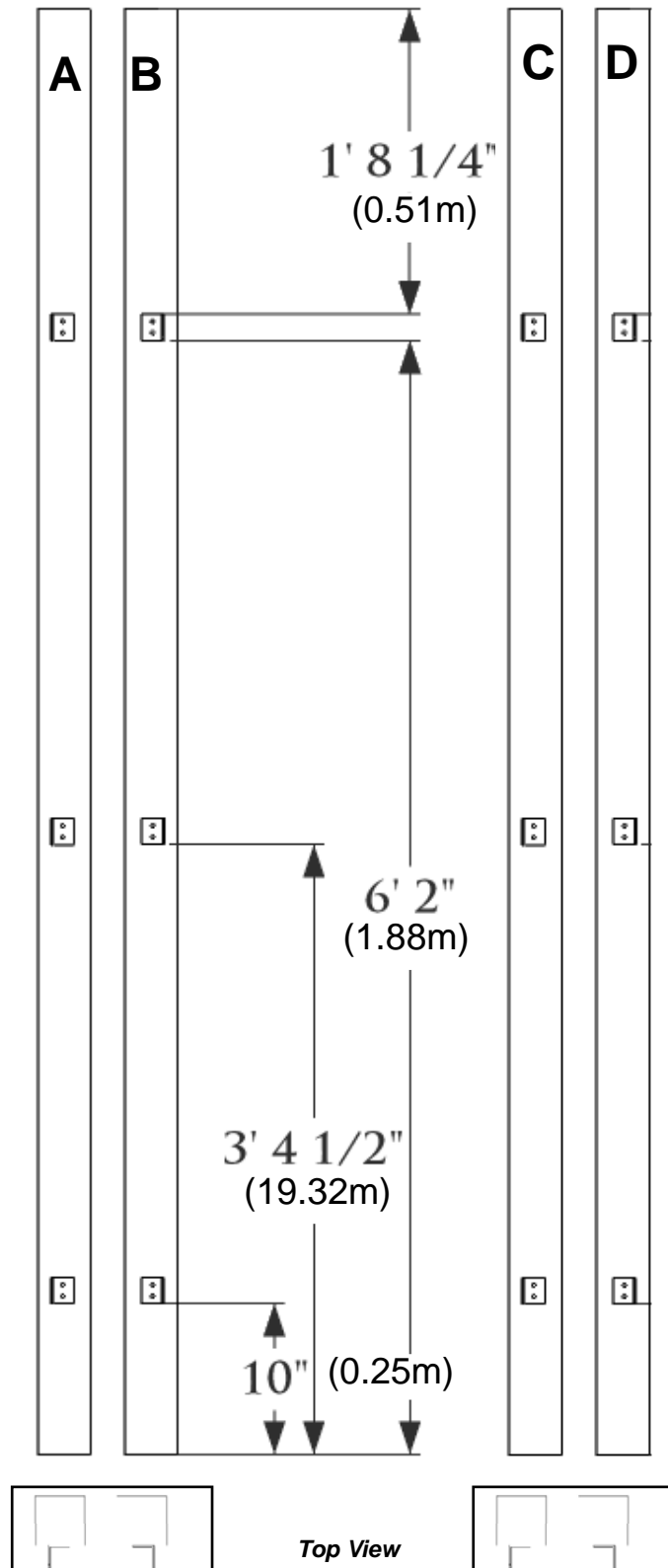
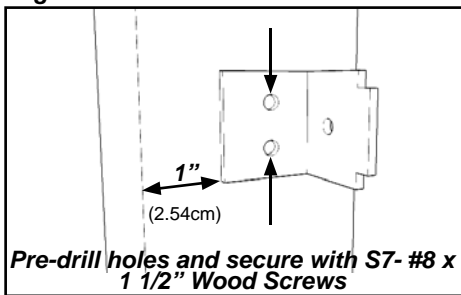


Fig. 2

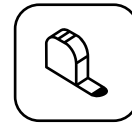
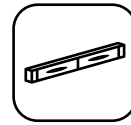


4X 4X4 POST

12X - PANEL CLIPS

24X #8 X 1 1/2" WOOD SCREW

STEP 3 -ATTACH PANELS TO POSTS



1. Place panel assemblies on posts as shown (Fig.1) allowing a 4" gap between the bottom of the post and the bottom edge of the bottom rail on the panel assembly. *Note: This is best achieved by laying a 4x4 post on the ground. Position panel assembly correctly in place. Once attached, stand the post and attach assembly with the completed posts and panel assembly pieces.*
2. With a 1/8" drill bit, predrill holes as shown in figure 2.
3. Fasten the panel assemblies to the post and Panel Clips with a S5- 1" Pan Head Screw provided in location of arrows. (Fig. 1)
4. Repeat until all four pergola bases are assembled.

x2

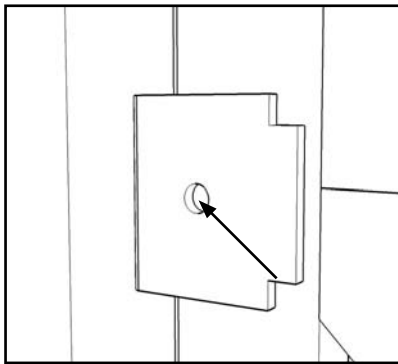
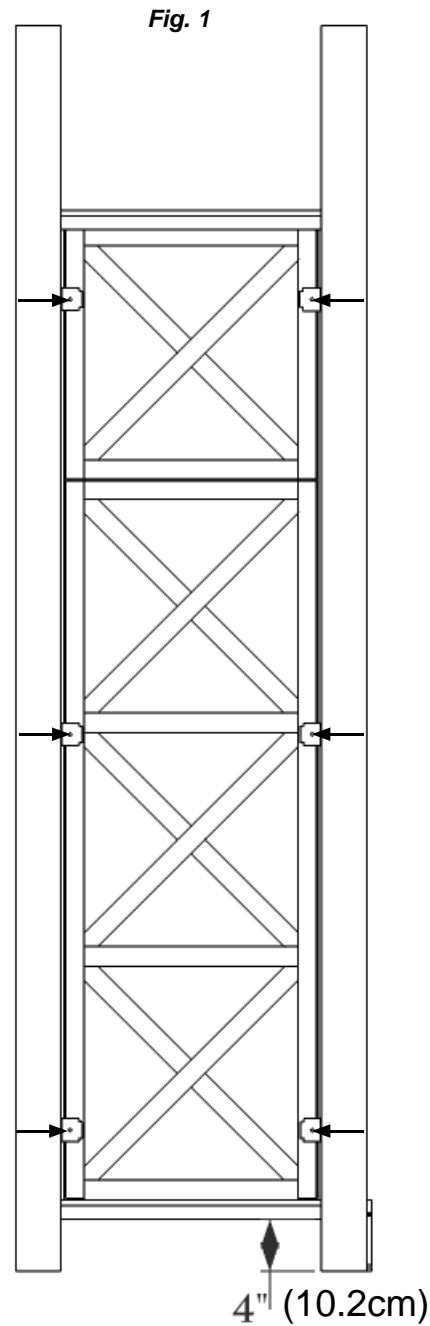
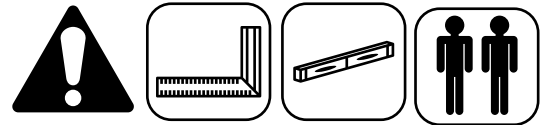


Fig. 2. Predrill Holes and Fasten with S5- 1" Pan Head Screw



12X  1" PAN HEAD SCREW

STEP 4- LAYOUT POSTS AND CONNECTORS



1. Layout Arbour bases in configuration shown in figure 1. ***Arbour bases must be secured on a flat and level surface. It is recommended the structure be secured to existing stone, concrete or deck with the Yardistry Post Base (YM21016) or equivalent hardware.**
2. Install Post Top Connectors with S6- 1 1/2" Pan Head Screws provided. (Fig. 2) Ensure the direction of the Post Top Connector is the same direction as indicated by the arrows in figure 1.

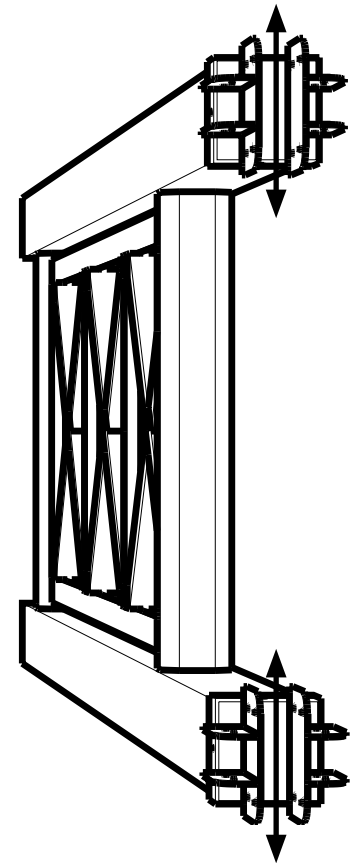
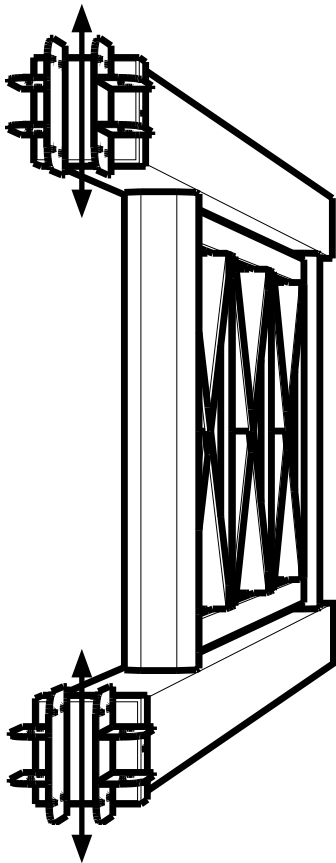
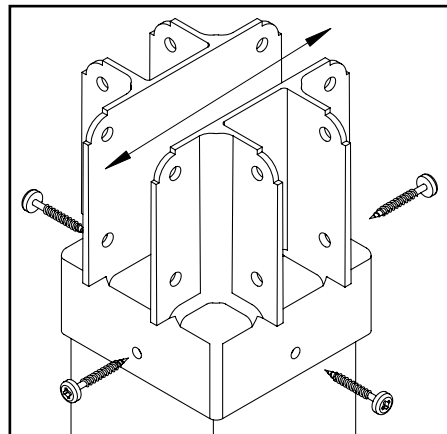


Fig. 1
**Install on a flat
and level surface!**

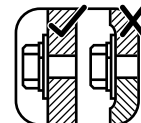


**Fig. 2 - Attach Post Top Connectors
with S6- 1 1/2" Pan Head Screws.**

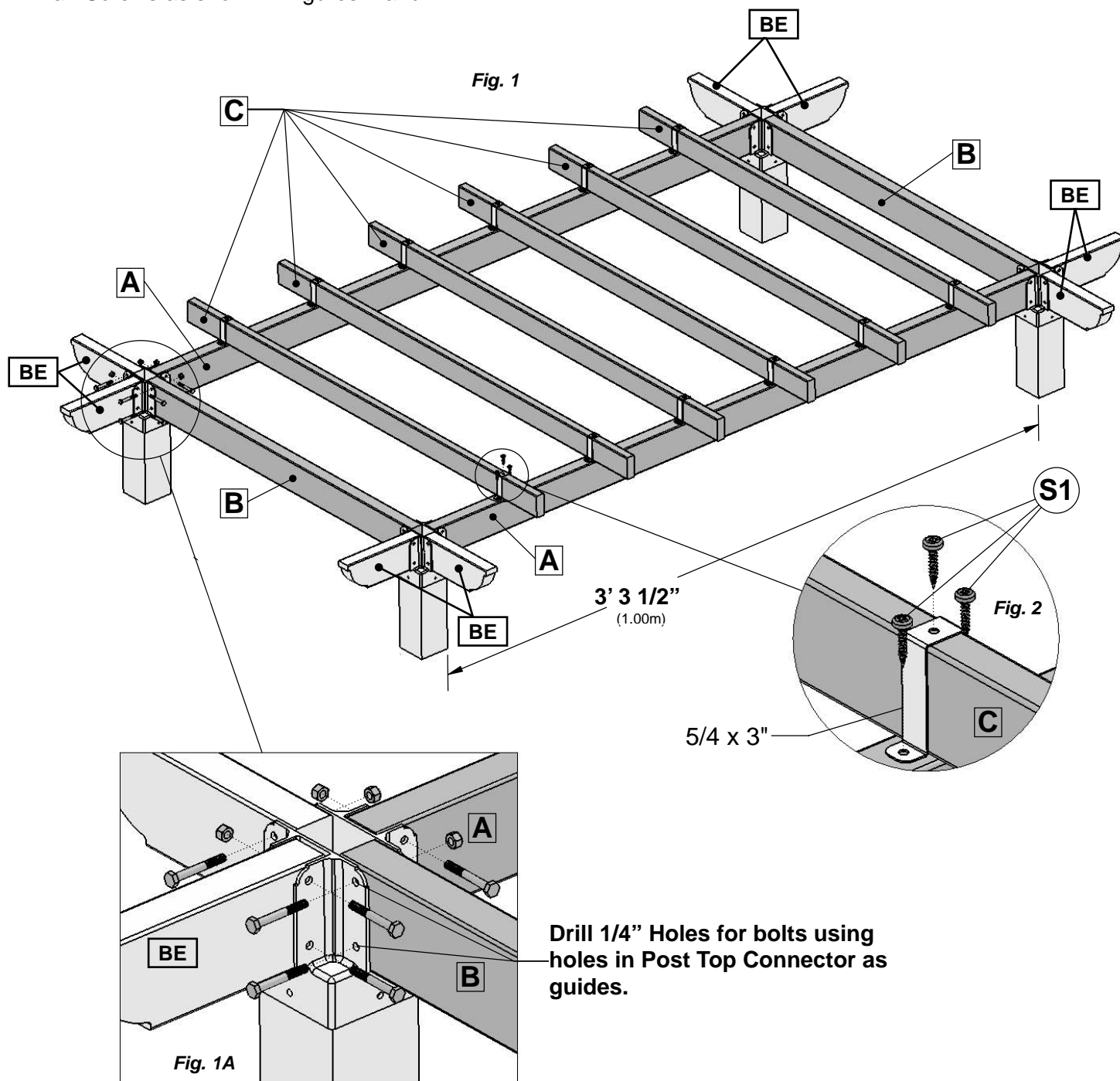
16X  1 1/2" PAN HEAD SCREWS

4X - POST TOP CONNECTOR

STEP 5- ASSEMBLE ROOF



1. Attach two A- 2 x 4 x 41" Beams to Post Top Connectors with WH-7/16" Hex Bolt as shown in Fig. 1 and 1A.
2. Attach two B-2 x 4 x 25" Beams to Post Top Connectors with WH-7/16" Hex Bolt as shown in Fig. 1 and 1A.
Drill 1/4" Holes for bolts using holes in Post Top Connector as guides.
3. Attach eight BE- 2 x 4 Beam Ends to Post Top Connectors with WH-7/16" Hex Bolt as shown in Fig. 1 and 1A.
4. Evenly space apart and secure six C-5/4 x 3 x 35 3/4" Trellis to Beams using 5/4 x 3" Brackets and S1- #10- 1" Pan Screws as shown in figures 1 and 2.



Drill 1/4" Holes for bolts using holes in Post Top Connector as guides.

36X #10- 1" PAN SCREW

2X 2 X 4 X 41" BEAM

6X 5/4 X 3 X 35 1/4" TRELLIS

12X 5/4 X 3" BRACKET

2X 2 X 4 X 25" BEAM

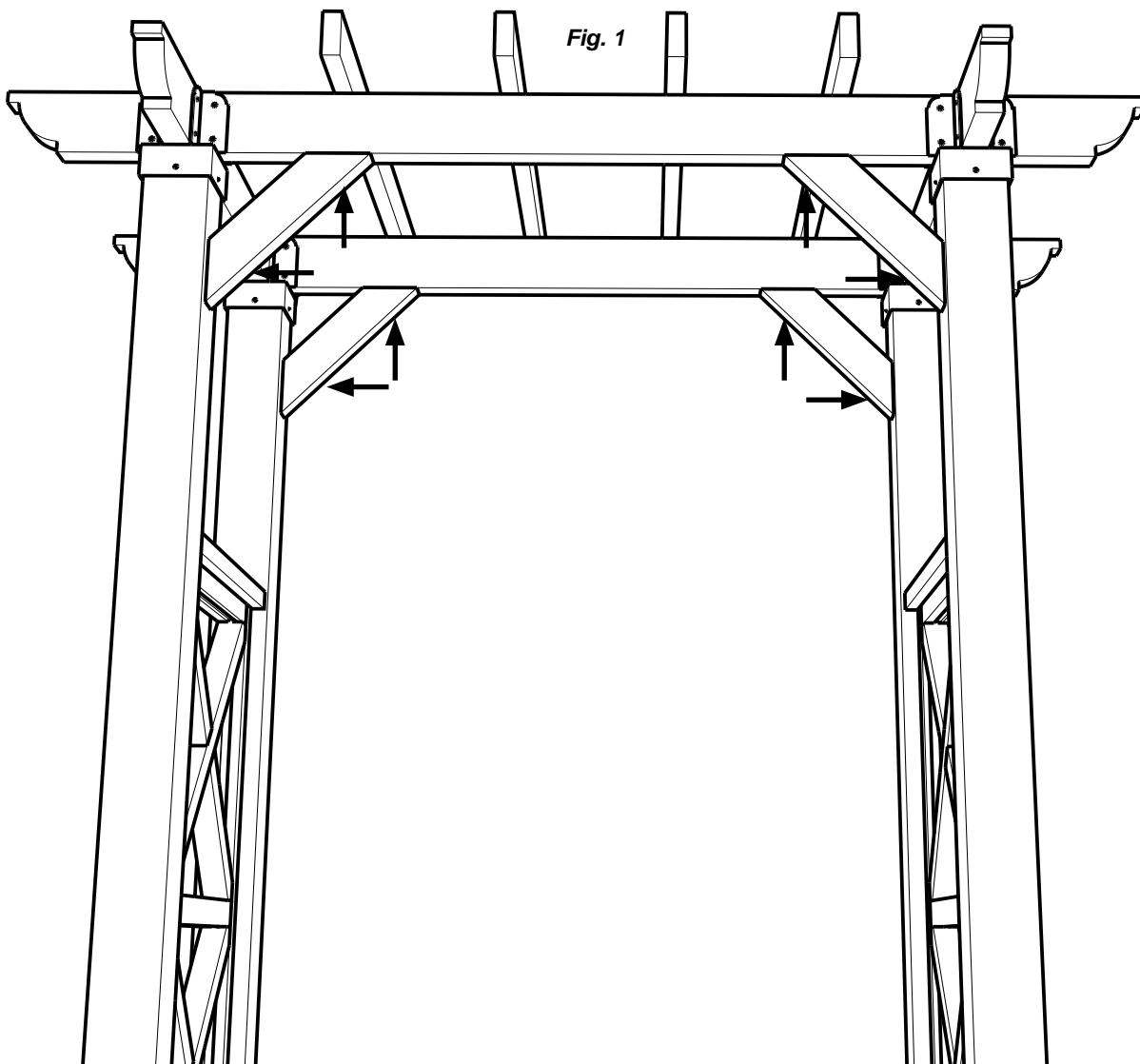
32X 7/16" HEX BOLT W/ NUT


8X 2 X 4 BEAM ENDS


STEP 6 (OPTIONAL)- INSTALL GUSSETS

***Installing the Gussets will strengthen your project. Gussets are not essential to the overall project and are only suggested if you experience wobble.**

1. Attach four G-2 x 4 x 12" Gussets to 4x4 Post and A- 2 x 4 x 41" Beams with S3- #8x 3" Wood Screws as indicated by the arrows in figure 1.



8X  #8X 3" WOOD SCREW

4X  2 X 4 X 12" GUSSET